



# 10/100/1000Base-T Quad Port Transformer Module

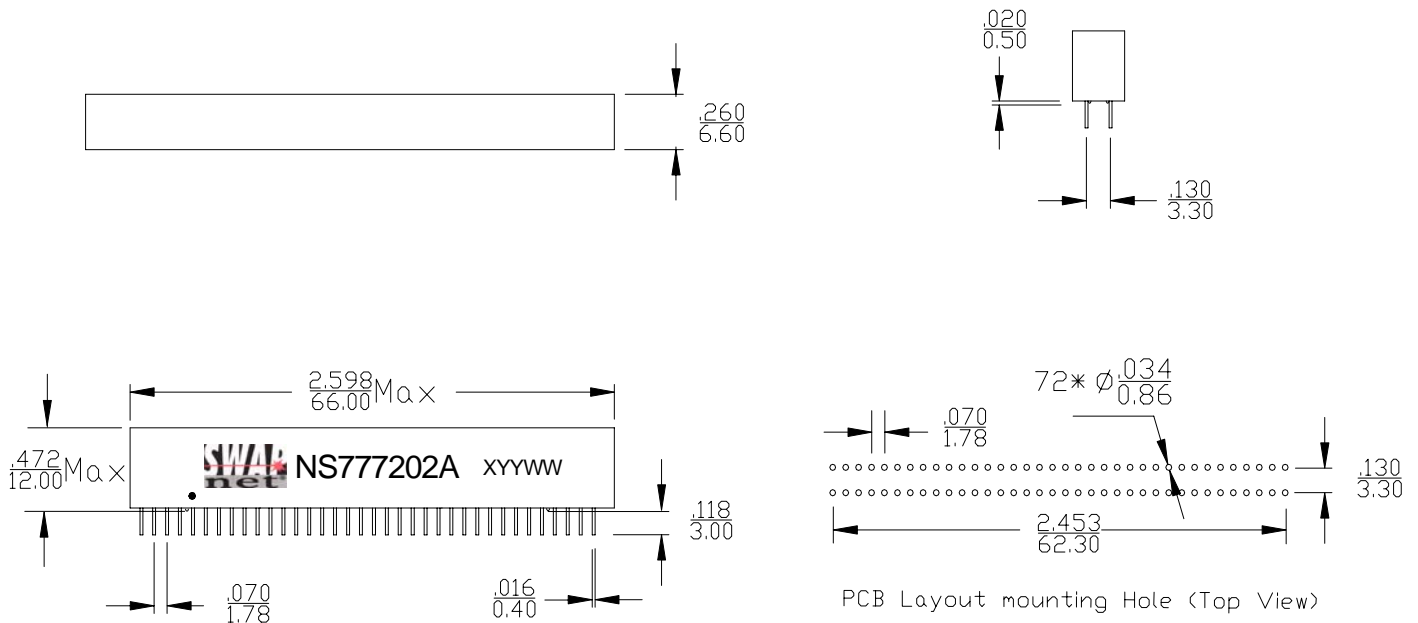
P/N: NS777202A

- ★ Designed to meet IEEE 802.3ab requirement
- ★ Lead-Free & Designed to meet ROHS requirement
- ★ Primary inductance 350μH min. with 8mA DC Bias
- ★ Operating temperature range: 0°C to +70°C
- ★ Storage temperature range: 0°C to +85°C

## Electrical Specifications @ 25°C

Part Number	Turn Ratio	Insertion Loss 1~100MHz (dB Max)	Return Loss (dB Min)					Cross Talk (dB Min)		DCMR (dB Min)			Hi-Pot (Vrms MIN)
			1-30MHz	40MHz	50MHz	80MHz	100MHz	30MHz	100MHz	30MHz	60MHz	100MHz	
NS777202A	1CT:1CT	-1.0	-18	-14.5	-13	-12	-10	-40	-30	-40	-35	-30	1500

## Mechanical



Dimensions: Inches/mm

Unless otherwise specified, tolerances:  $xx.x0 \pm 0.25$ (mm)

$0.xx \pm 0.05$ (mm)

Data sheet subject to change without notice

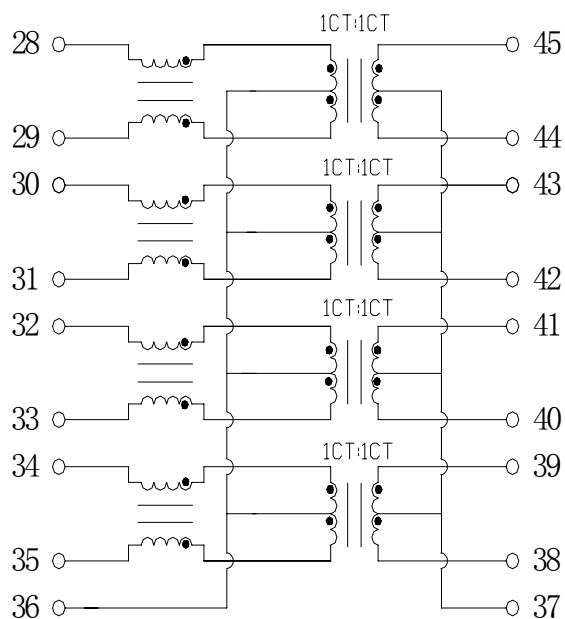
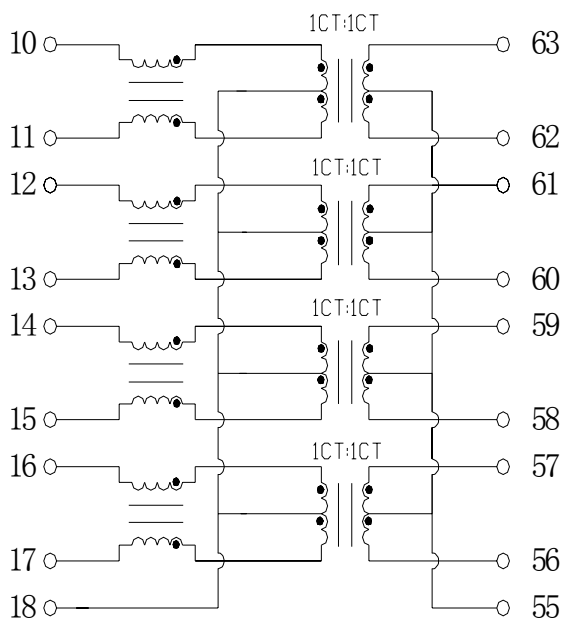
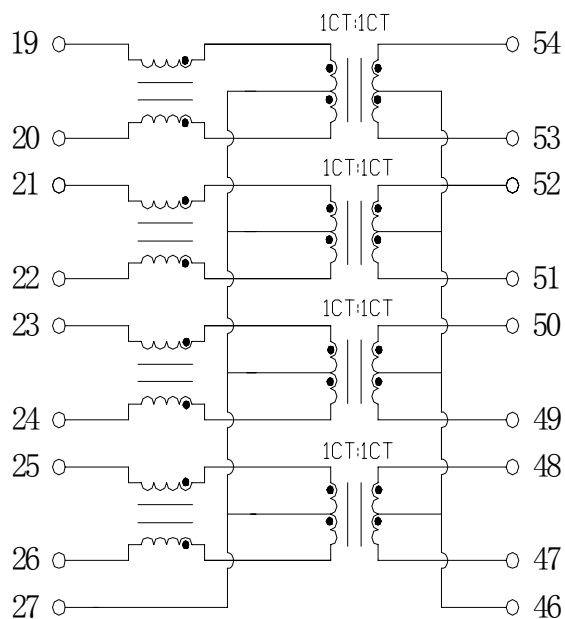
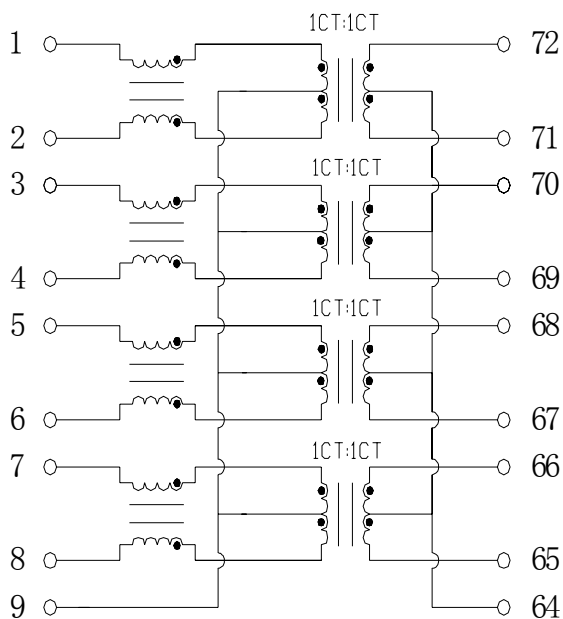
Headquarter: 13F, No. 111-5, Hsing Te Rd., Sun Chung City, Taipei Taiwan R.O.C.  
 TEL: +886-2-85123848 FAX: +886-2-85123862  
 Overseas Operation Office:  
 Hong Kong Shanghai Shenzhen



P/N: NS777202A

# 10/100/1000Base-T Quad Port Transformer Module

## Schematics

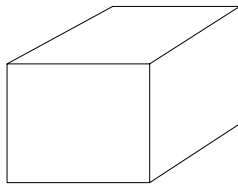
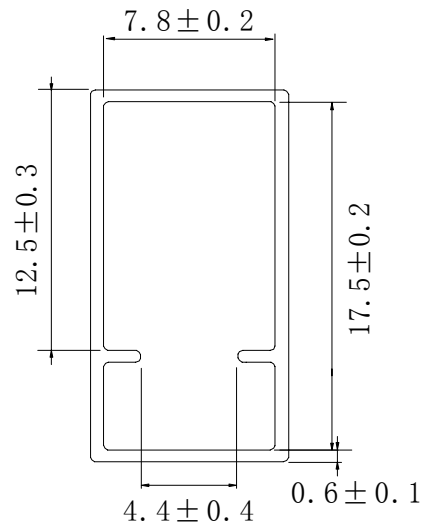
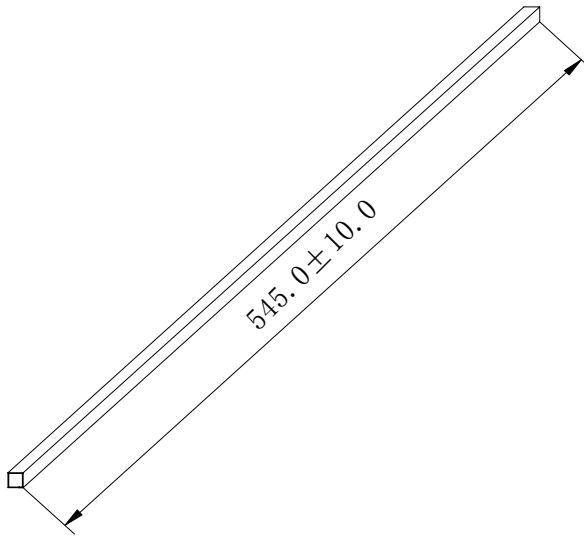


Headquarter: 13F, No. 111-5, Hsing Te Rd., Sun Chung City, Taipei Taiwan R.O.C.  
TEL: +886-2-85123848 FAX: +886-2-85123862  
Overseas Operation Office:  
Hong Kong Shanghai Shenzhen

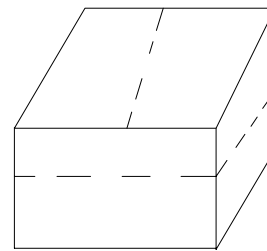


## 10/100/1000Base-T Quad Port Transformer Module

P/N: NS777202A



INNER BOX: 570 (L) X180 (W) X100 (H)



EXPORT CARTON: 580 (L) X380 (W) X240 (H)

Units: mm

- 1、 MATERIAL TRANSPARENT: PVC  
PLUG COLOR: WHITE
- 2、 ONE TUBE: 8PCS
- 3、 ONE INNER BOX: 576PCS
- 4、 ONE CARTON: 2304PCS

Headquarter: 13F, No. 111-5, Hsing Te Rd., Sun Chung City, Taipei Taiwan R.O.C.  
TEL: +886-2-85123848 FAX: +886-2-85123862  
Overseas Operation Office:  
Hong Kong Shanghai Shenzhen